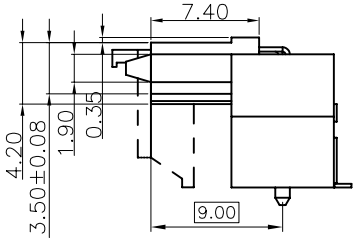
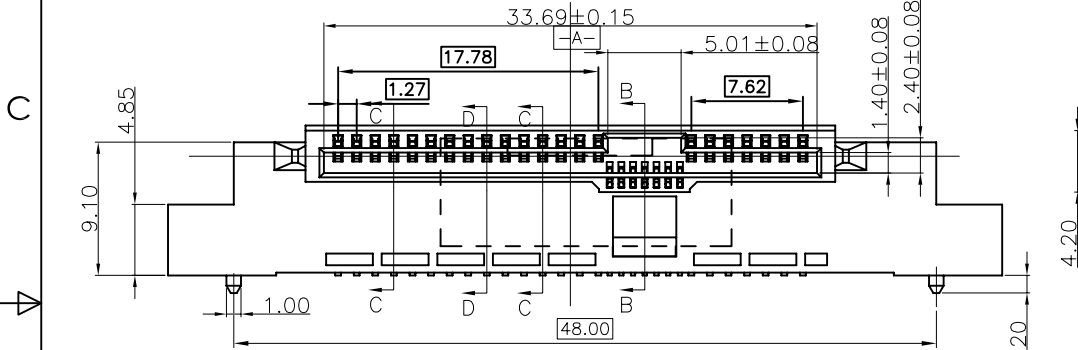
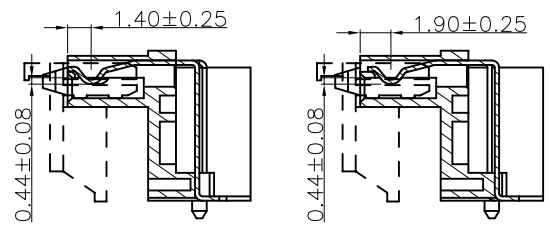
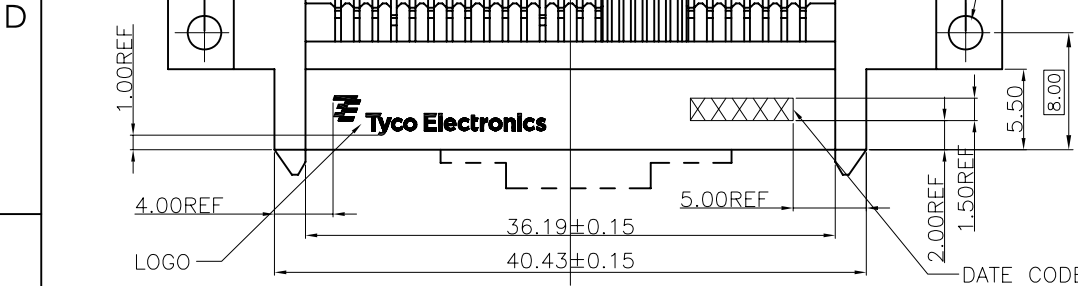


PART NO. SEE TABLE 1

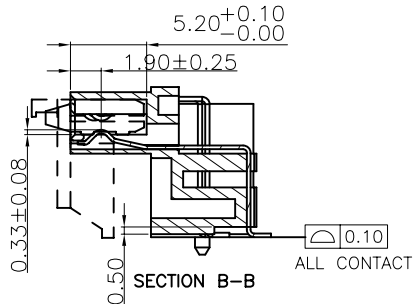
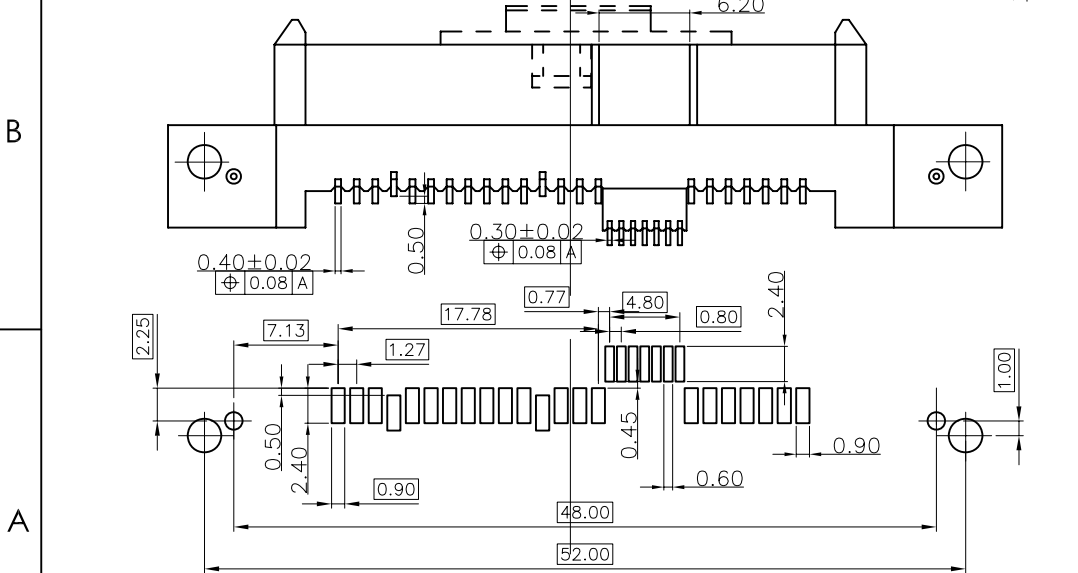
REVISIONS			
LTR	DESCRIPTION	Drawing	DATE
A0	initial Release for Manufacture	BILL	11/28/07
A1	ADDITION THE VIEW DRAWING	BILL	03/25/08

**CUSTOMER DRAWING**



PART NO.			
020-01-00328	15 U" GOLD	LCP BLACK	GP
PART NO.	PLATED	PLASTIC&COLOR	NOTE

**NOTE:**  
**1.MATERIAL :**  
 BASE&COVER: HIGH THERMOPLASTIC UL94V-0, COLOR : BLACK  
 TERMINAL MAX: COPPER ALLOY, T= 0.30 mm  
 TERMINAL MIN:COPPER ALLOY, T= 0.25 mm  
 NUT: COPPER ALLOY.  
**2.PLATING:**  
 CONTACT:GOLD PLATED ON THE CONTACT.  
 MISTY TIN PLATED ON THE SOLDER TAIL.  
 NICKEL UNDERPLATED OVER ALL.  
 NUT: NICKEL UNDERPLATED OVER ALL  
**3.ELECTRONICAL SPECIFICATION:**  
 CURRENT RATING: 1.5 AMPERE PER CONTACT  
 CONTACT RESISTANCE: 30 MILLIOHMS MAX.  
 INSULATION RESISTANCE: 1000 MEGOHMS MIN.  
 DIELECTRIC WITHSTANDING VOLTAGE: 500 VAC.  
 OPERATING TEMPERATURE: -40°C~+85°C  
**4.LOGO: TEXT HIGH: 0.02mm MAX.**  
**4.DATE CODE:**  
 XX XX X  
 DATE  
 WEEK  
 YEAR



APPROVALS		DATE	TITLE: SAS 29PR/A SMT TYPE(H=9.0)		
DRAWN	GARY	09/11/06'	SIZE	SCALE :	DRAWING NO.
CHECKED			mm	1 : 1	000560
APPROVALS			REV.		A1
ID NO.	XXXXXXXXXX		SHEET 1 OF 1		

NO	DESCRIPTION	QTY	UNIT	DO NOT SCALE DRAWING
4				
3				
2				
1				